

LCD/Plasma wall support VFW 332 BLACK

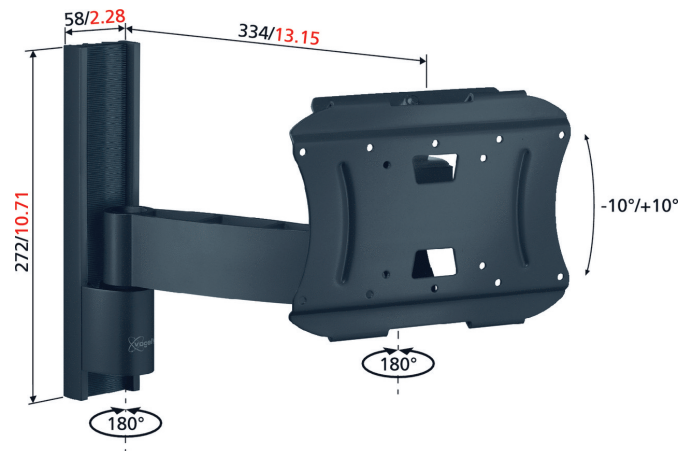
- Screen size (Min. - Max.): 23 – 37 " / 58 – 94 cm
- Max. weight: 35 kg / 77 lbs
- Tilt: 10 °
- Turn: 180 °
- Min. distance to the wall (mm): 109 mm
- VESA mounting holes: 200x100mm up to 200x100mm, 100x100mm up to 100x100mm,
- Guarantee: 5 years
- Available colours: Black, Silver

The VFW 332 LCD wall support for LCD/TFT screens up to 37" / 94 cm, allowing it to move freely from the wall.





LCD/Plasma wall support VFW 332 BLACK



The VFW 332 LCD wall support offers an optimal viewing position thanks to 2 pivot points and the turn and tilt possibility. With the cable clips you can guide your cables. The VFW 332 is a member of a complete product line, the Original series, and is a proven, solid solution. Mount your LCD/TFT to the wall to free up space and give your interior a stylish look.

Features

- Tilt, turn and reach functions guarantee optimal viewing position
- Two pivot points
- Universal - complies with VESA MIS-D, 100, C, VESA MIS-D, 75, C and VESA MIS-E, C, VESA200x200
- Strips included for 200x200 VESA mounting holes
- Buffer rings prevent damage to display and wall

Logistic information

- Packaging size: 275x325x121 mm
- Max. weight: 4 kg / 9 lbs
- EAN Code: 8712285317989